



stylish, functional, classic!



Stylish, functional, classic!



Features 2 in 1:
Automatic hand
dryer and
waste bin
(JDM-SEL-2000)



Features 2 in 1:
Paper towel
dispenser and
waste bin
(JDM-SEL-2001)



Features 3 in 1:
Paper towel
dispenser,
automatic hand
dryer and waste
bin (JDM-SEL-3000)



Features 3 in 1:
Paper towel
dispenser,
automatic hand
dryer and waste
bin. Fully compliant
with Australian
Disabled standards
1428.1 & 1428.2
(JDM-SEL-3001)

It seems at times that the goals of the industrial designer and architect are at odds. If you were to design a range of washroom fittings it would be different. Simplicity, low profiles and neutral finishes would ensure that each element would reflect the values of form following function.

That's where JD MacDonald comes in.

We started with a thorough understanding of your needs and translated them into a flexible range of hand dryers, paper towel dispensers and waste paper bins. The result is an entire range devoid of unnecessary detailing. This is the range that you would design if you had the chance.

The low profile of each unit in the new Select Classic range allows for uninterrupted clean lines to remain a feature of your washroom design.

The pure practicality of stainless steel guarantees long life and effortless cleaning and maintenance.

You have the flexibility of recess and semi recess mounting.

As you would expect, the new Select Classic is manufactured from high quality stainless steel for added strength.

The fully integrated electric hand dryer has been developed to deliver optimum warmth and at very low noise levels.

Together with the increased waste bin and paper towel capacity the new Select Classic caters to all your washroom needs.

Security locks are keyed alike for ease of maintenance.

You have the convenience of 2 in 1 featuring a paper towel dispenser and a large capacity waste bin built into the one stainless steel unit.

You combine the style and form of architectural flair with the simple functionality of industrial design and the result is Classic!

SELECT CLASSIC

JDM-SEL-2000

Features:

- Integrated stainless steel cabinet with two features in one installation
- Manufactured from high quality 304 stainless steel Select Classic 2 in 1 provides a fully automatic hand dryer and large capacity waste bin solution
- Easy installation and service via a security locked front door
- Protected for shipment and installation by PVC coating on all surfaces
- Made in Australia

Installation options:

- Electrical connection by cord and plug (as supplied)
- Can be direct wired by an electrician

Specification:

- Waste bin 25.7L capacity, 3mm thick ABS plastic
- Electrical AC, 230-240V, 50Hz, 7A
- Motor 65 Watt, 2500 RPM
- Element 1600 Watt protected by thermal cut-out
- Air Velocity 15.5m/s
- Noise level 70.8dB (A)
- Certificate of Suitability No. Q070748
- Electrical Safety Requirement AS/NZS 60335.2.23:2004
- Gross weight 38.5kg

Finish:

- Brush stainless steel, 304 grade, 1.2mm thick

Rough Wall Opening (RWO):

410mm (W) x 1490mm (H) x 120mm (D)

Options:

- JDM-SEL-1035 – small cavity trim for semi recessed installations

SELECT CLASSIC

JDM-SEL-2001

Features:

- Integrated stainless steel cabinet with two features in one installation
- Manufactured in high quality 304 stainless steel Select Classic 2 in 1 provides a paper towel dispenser and large capacity waste bin
- Easy installation and service via a security locked front door
- Protected for shipment and installation by PVC coating on all surfaces
- Made in Australia

Specification:

- Waste bin 25.7L capacity, 3mm thick ABS plastic
- Gross weight 31.5kg

Finish:

- Brush stainless steel, 304 grade, 1.2mm thick

Rough Wall Opening (RWO):

410mm (W) x 1490mm (H) x 120mm (D)

Options:

- JDM-SEL-1035 – small cavity trim for semi recessed installations



2 in 1 Select Classic (JDM-SEL-2000)

SELECT CLASSIC

JDM-SEL-3000

Features:

- Integrated stainless steel cabinet with three features in one installation
- Manufactured from high quality 304 stainless steel Select Classic 3 in 1 provides a fully automatic hand dryer, paper towel dispenser and large capacity waste bin
- Easy installation and service via a security locked front door
- Protected for shipment and installation by PVC coating on all surfaces
- Made in Australia

Installation options:

- Electrical connection by cord and plug (as supplied)
- Can be direct wired by an electrician

Specification:

- Waste bin 25.7L capacity, 3mm thick ABS plastic
- Electrical AC, 230-240V 50Hz, 7A
- Motor 65 Watt, 2500 RPM
- Element 1600 Watt protected by thermal cut-out
- Air Velocity 15.5m/s
- Noise level 70.8dB (A)
- Certificate of Suitability No. Q070748
- Electrical Safety Requirement AS/NZS 60335.2.23:2004
- Gross weight 40kg

Finish:

- Brush stainless steel, 304 grade, 1.2mm thick

Rough Wall Opening (RWO):

• 410mm (W) x 1490mm (H) x 120mm (D)

Options:

- JDM-SEL-1035 – small cavity trim for semi recessed installations

SELECT CLASSIC

JDM-SEL-3001



Features:

- Integrated stainless steel cabinet with three features in one installation
- Manufactured from high quality 304 stainless steel Select Classic 3 in 1 provides a fully automatic hand dryer, paper towel dispenser and large capacity waste bin
- Easy installation and service via a security locked front door
- Protected for shipment and installation by PVC coating on all surfaces
- Made in Australia

Installation options:

- Electrical connection by cord and plug (as supplied)
- Can be direct wired by an electrician
- The unit must be at 100mm from the finished floor level to comply with Australian Disabled Standards 1428.1 & 1428.2

Specification:

- Waste bin 25.7L capacity, 3mm thick ABS plastic
- Electrical AC, 230-240V 50Hz, 7A
- Motor 65 Watt, 2500 RPM
- Element 1600 Watt protected by thermal cut-out
- Air Velocity 15.5m/s
- Noise level 70.8dB (A)
- Certificate of Suitability No. Q070423
- Electrical Safety Requirement AS/NZS 60335.2.23:2004
- Gross weight 41 kg

Finish:

- Brush stainless steel, 304 grade, 1.2mm thick

Rough Wall Opening (RWO):

- 410mm (W) x 1490mm (H) x 120mm (D)

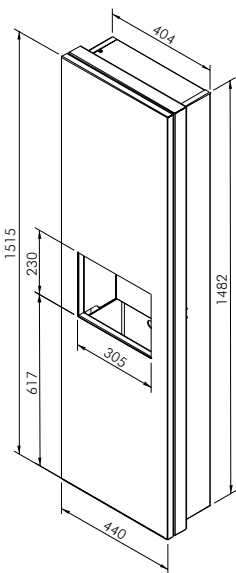
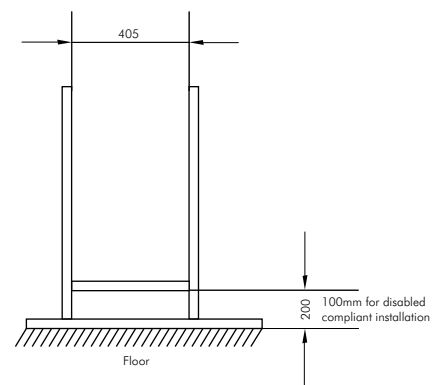
Options:

- JDM-SEL-1035 – small cavity trim for semi recessed installations

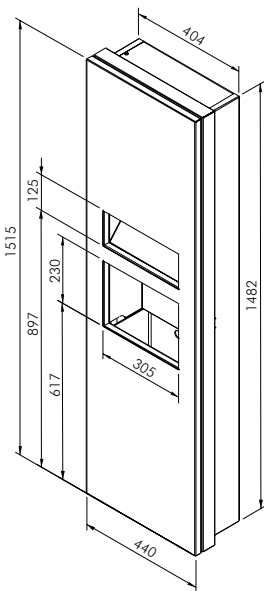
Warranty:

JD MacDonald Stainless Steel Select Classic is guaranteed against defective materials and faulty workmanship for 12 months from date of purchase, subject to being installed and maintained in accordance with the Installation and Operating Instructions supplied with the hand dryer or unit.

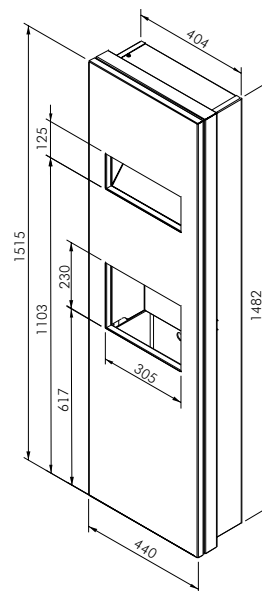
Recommended stud opening:



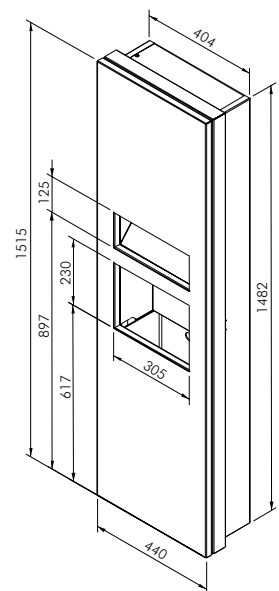
JDM-SEL-2000



JDM-SEL-2001



JDM-SEL-3000



JDM-SEL-3001



jdmacdonald.com.au

Freecall 1800 023 441 or phone your nearest JD MacDonald Sales Office

Adelaide (08) 8168 2222 Brisbane (07) 3363 6400 Melbourne (03) 9271 6400 Perth (08) 9271 8455 Sydney (02) 9756 1622

A Division of MacDonald Johnston Pty Ltd 65-73 Nantilla Road, Clayton North, Victoria 3168 Tel (03) 9271 6400 Fax (03) 9271 6485

JD MacDonald reserves the right to, and does from time to time, make changes and improvements in design and dimensions.

The photographs & line drawings of the products in this catalogue are representational only. All dimensions are in millimetres.

