



SPECIFICATION

Royal™ Collection Recess Mounted Paper Towel Dispenser and Waste Bin unit shall hold and dispense 475 standard multi-fold or 350 standard C-fold paper towels and shall have a waste capacity of 11.2 litres. Cabinet full door shall be drawn seamless and shall have bowed front face and gently radiused edges to provide added strength and complimentary appearance for modern washroom aesthetics. Door shall be 18 gauge type 304 stainless steel alloy 18-8. Towel dispenser, frame, waste bin and cabinet shall be 22 gauge type 304 stainless steel alloy 18-8. All exposed surfaces shall have a satin finish and shall be protected during shipment with PVC film easily removable after installation. Towel dispensing slot shall have a fully hemmed-in rolled edge for snag-free dispensing and user safety. Dispenser door shall be attached to cabinet at side with a full-length 9/64" diameter (Ø3.5) heavy-duty stainless steel multi-staked piano hinge and shall be held closed with a flush rimless tumbler lock keyed alike to other JD MacDonald washroom equipment. Waste bin shall have a fully hemmed top edge for safety and a rear handle for service ease and is retained by a tumbler lock keyed alike to other JD MacDonald washroom equipment. Face trim shall be 1-1/16" (27) wide formed from one piece with no miters, welding or open seams and have 1/8" (3) radiused return to wall. Structural assembly of body and door components shall be of welded construction.

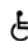
INSTALLATION

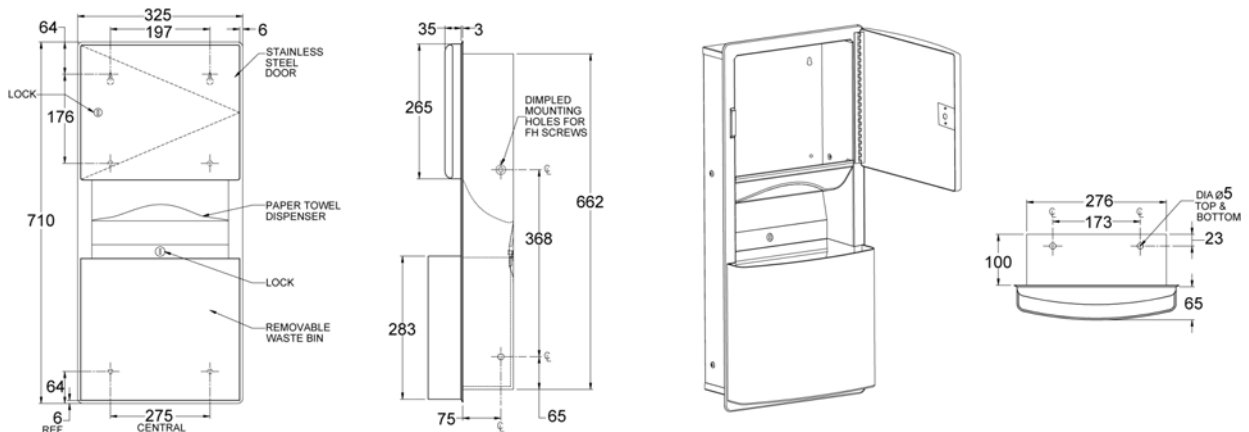
Recess mount unit in wall using four (4) № 8 self-tapping flat head screws (by others) through concealed mounting holes provided. For mounting height standards refer to current Building Code of Australia for able bodied and/or disabled use. Rough Wall Opening (RWO) required is 286mm x 672mm x 100mm.

OPERATION

Towels are self-feeding upon user manual demand until supply is depleted. Unit may be reloaded with a partial load in place and will continue to feed properly. Towels are replenished and waste bin is emptied manually on a cycle determined by maintenance needs. Locked door and waste bin prevents unauthorized access or removal.

Recessed Paper Towel Dispenser & Waste Bin shall be Model No. 204623 as supplied by JD MacDonald.

 All JD MacDonald disabled compliant products when installed must be in accordance with AS1428 to ensure the specified product is complying with all washroom specification requirements.



JD MacDonald reserves the right to, and does from time to time, make changes and improvements in design and dimensions. The photographs and line drawings of the products in this flyer are representational only. All dimensions are in millimetres.