

**FEATURES**

Recessed Vertical Baby Change Station with Full Stainless Steel includes a concealed pneumatic gas spring mechanism for smooth and safe opening and closing. The hygienic, non-absorbent child safety strap features a lockable two step cam-buckle providing effortless size adjustment with one hand. The ABS changing surface is easy to clean and resists odours and bacterial growth. Safety information and universal instruction graphics are illustrated on easy to read labels. Ideal for use in unsupervised, low maintenance facilities such as parks and rest areas that may be subject to vandalism. Stainless steel frame and hinges provide maximum durability. Protruding corners protected with plastic covers for maximized changer bed safety. Edges of the stainless steel unit are protected with a continuous PVC extrusion.

**INSTALLATION DETAILS**

Simple to install with step-by-step instructions supplied.

**SPECIFICATION**

Unit supports loads up to 181kg when properly installed in accordance with the Installation and Operating Instructions supplied with the unit.

**MATERIAL**

Full body shall be 304 grade, 16 gauge stainless steel with a brushed finish and seamless welds. Insulated ABS replaceable changing surface that is smooth and concave.

**ROUGH WALL OPENING (RWO)**

553mm (W) x 870mm (H) x 89mm (D).

**OPTIONS**

- Surface mounted unit available.  
(Model No. BCV-SS-R + BCV-SMKIT).
- Stainless steel liner dispenser, install recessed into wall separately. (Model No. SSLD-R).
- Replacement belt assembly (Part No. B003).
- Replacement tray/bed (Part No. F045-Mold).

**WARRANTY, PRODUCT LIABILITY & VANDALISM PROTECTION**

JD MacDonald Baby Change Stations are guaranteed against defective materials and faulty workmanship for 5 years from date of purchase, subject to being installed and maintained in accordance with the Installation and Operating Instructions supplied with the unit.

A \$10 million product liability insurance policy is maintained on all baby change stations.

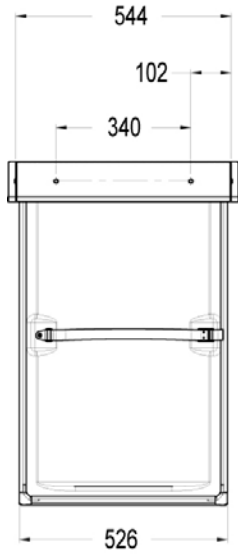
Should any baby change station distributed by JD MacDonald be vandalized rendering the unit unsafe or unusable in the 5 year period from the date of purchase, JD MacDonald will provide a \$100 discount off the retail price when a replacement unit is purchased by the owner through JD MacDonald.

**Recessed Baby Change Station Full Stainless Steel Vertical** shall be Model No. BCV-SS-R as supplied by JD MacDonald.

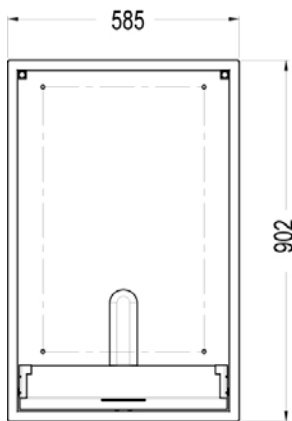
**Recessed  
Baby Change Station  
Full Stainless Steel Vertical  
Model No. BCV-SS-R**

---

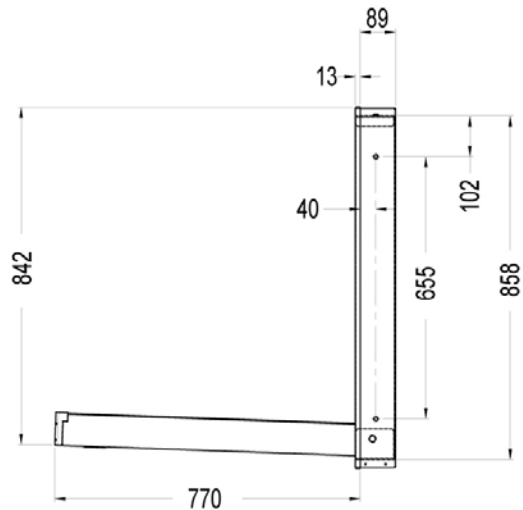
**CAD DRAWINGS**



PLAN VIEW



FRONT VIEW



SIDE VIEW (OPEN)

JD MacDonald reserves the right to, and does from time to time, make changes and improvements in design and dimensions. The photographs and line drawings of the products in this flyer are representational only. All dimensions are in millimetres.