



FEATURES

- Easy and fast installation into new or existing sinks
- Powerful Permanent Magnet Motor 2600RPM
- Unique Torque Master Grinding System
- Stainless Steel Balanced Armature Shaft
- Anti-jam Stainless Steel Impellers
- Only disposer treated with Bio Shield Antimicrobial Protection
- Removable Splash Guard for easy cleaning & replacement
- Corrosion Proof Grinding Chamber

SPECIFICATION

- Horsepower: 1/2HP
- Motor speed: 2600 RPM
- Voltage: 220-240V
- AMPS: 2.25
- Cycles: 50/60
- Motor type: Permanent magnet
- Stopper: Stainless steel knob assembly
- Appliance protector: Manual reset
- Sound shell: Full
- Individual shipping weight: 5.2kg

MATERIALS

- Splash guard: PVC
- Drain outlet: Polycarbonate 940
- Grind ring: Stainless steel
- Swivel impellers: Cast Stainless steel
- Balanced turntable: Stainless steel
- Balanced armature shaft: Stainless steel
- Hopper: Polycarbonate 940
- Drain housing: Phenolic EA-5551J
- Sink flange: Polycarbonate 940
- Bearings: sleeve permanently lubricated

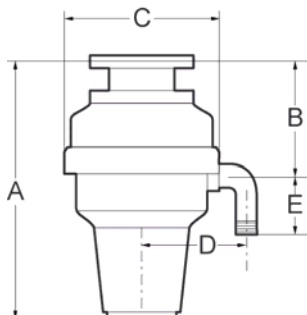
WARRANTY

JD MacDonald WasteMaid Model 358 has a Lifetime corrosion warranty and a 5 year replacement warranty.

OPTIONAL ACCESSORIES

- Wireless control switch
- Air switch

WasteMaid 358 shall be Model No. 358 as supplied by JD MacDonald.



| | Model 058 | Model 128 | Model 158 | Model 358 | Model 458 |
|---|-----------|-----------|-----------|-----------|-----------|
| A | 355mm | 381mm | 355mm | 379mm | 406mm |
| B | 165mm | 184mm | 165mm | 184mm | 184mm |
| C | 121mm | 187mm | 121mm | 215mm | 215mm |
| D | 135mm | 135mm | 135mm | 142mm | 142mm |
| E | 70mm | 70mm | 70mm | 70mm | 70mm |