

# WARRANTY

All Waste Maid Food Waste Disposers sold in Australia by JD MacDonald, a division of MacDonald Johnston Pty Ltd., sole distributor, are warranted against faulty parts or deficient workmanship that are found to have arisen during the course of manufacture or whilst the Waste Maid unit remains under the custody and control of the sole distributor for the period stated following the date of the original purchase and in respect to the Waste Maid units detailed as follows:

## WARRANTIES:

<b>MODEL 058*</b>	<b>2 YEARS PARTS</b>
<b>MODEL 128*</b>	<b>2 YEARS PARTS</b>
<b>MODEL 158</b>	<b>4 YEARS PARTS</b>
<b>MODEL 358</b>	<b>5 YEARS PARTS</b>
<b>MODEL 458</b>	<b>6 YEARS PARTS</b>

\*The Waste Maid 058, 128 can develop surface corrosion that in normal use will not affect the operation of the unit. If the disposer is not used for lengthy periods of time, the surface corrosion may potentially cause the disposer to become inoperable. The manufacturer recommends the use of a household rust inhibitor to prevent build-up of corrosion in between operations.

Stringy and fibrous food waste should not be placed into the disposer or the warranty will become void. In addition, all labour charges for warranty work on Waste Maid units within the metropolitan area will be covered. If covered by this warranty for the period detailed above, from the date of original purchase, provided always that where the Waste Maid units are situated outside the metropolitan area, that they be delivered up to, and collected by, the user from the sole distributor or its accredited distributor following completion of the warranty work.

Except as required by statute (including the Trade Practices Act 1974), the Company does not accept any liability for any direct, indirect, or consequential loss.

Subject to the users Statutory Rights referred to below, the distributor reserves the right to charge for any service including parts that are not covered by the above warranty.

The warranty terms set out above are not intended to exclude any conditions or warranty that may be implied by Law or of the provisions of Part V of the Trade Practices Act (as amended) or any relevant state or federal legislation which by law cannot be excluded, restricted, or modified.

Additionally, the warranty provided does not cover the following:

1. Non-operation due to jamming and by surface corrosion.
2. Accident, abuse, or failure to follow operating instructions.
3. Incorrect installation or operation.
4. Leaks, fuses, sink-stopper and splash guards.
5. Electricity supply failure.

For service, please contact:  
JD MacDonald Service Centre:  
ph. 1 800 023 441

visit: [www.jdmacdonald.com.au](http://www.jdmacdonald.com.au) email: [enquiry@jdmacdonald.com.au](mailto:enquiry@jdmacdonald.com.au)

# 8 CLEANING AND MAINTENANCE

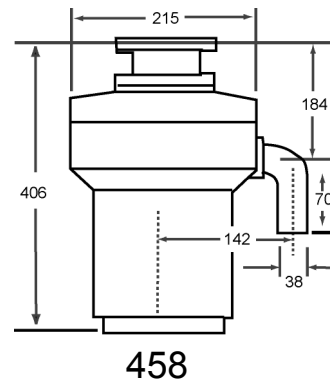
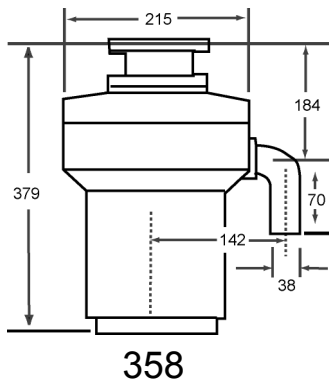
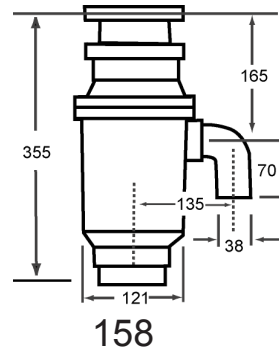
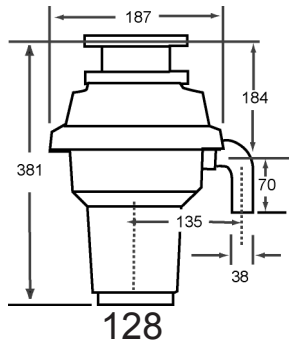
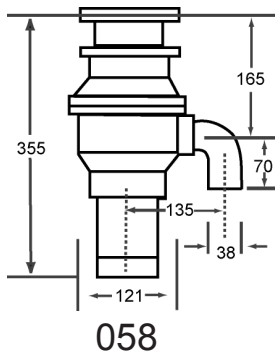
The motor is permanently lubricated for life. **DO NOT ATTEMPT TO LUBRICATE YOUR DISPOSER!** The disposer is self cleaning and scours itself with each use.

Your disposer is equipped with a removable splash guard for ease of cleaning or replacement. Remove splash guard by pulling it out from the top. To replace, simply insert into sink flange and push down until properly seated.

**NEVER** put lye or chemical drain cleaners into the disposer, as they cause serious corrosion of metal parts. If used, resulting damage can be easily detected and all warranties are void.

Mineral deposits from your water can form on the stainless steel turntable of your disposer, giving the appearance of rust. **DO NOT BE ALARMED**, the stainless steel turntables used on the 158, 358, and 458 models will not corrode.

## CONTINUOUS FEED DISPOSERS



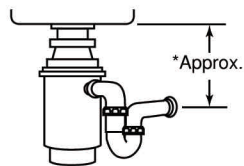
\* Center of discharge opening

## TYPICAL INSTALLATIONS

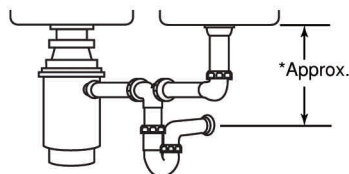
\* 260mm for 128, 358 and 458.  
235mm for 058 and 158.

Traps are optional.

### SINGLE BOWL



### DOUBLE BOWL CENTRE OUTLET



### DOUBLE BOWL END OUTLET

