



**Shown: Recessed Model No. 0462-AD  
Surface Mounted unit includes a trim**

### SPECIFICATION

Surface Mounted Paper Towel Dispenser and Waste Bin shall hold and dispense 475 standard multi-fold or 350 standard C-fold paper towels and shall have a waste capacity of 7.6 litres. Door and cabinet shall be fabricated of alloy 18-8 stainless steel, grade 304, 22 gauge. All exposed surfaces shall have No. 4 satin finish and be protected during shipment with a PVC film that shall be easily removable after installation. Door shall be of double-pan construction with fiberboard filler and shall be attached to cabinet at side with a full length 5mm diameter stainless steel multi-staked piano hinge and shall be held closed with a tumbler lock keyed alike to other JD MacDonald washroom equipment. Towel dispensing slot shall have a fully deburred edge for snag-free dispensing and user safety. Waste bin shall have hemmed edges and a rolled-edge finger-hole for ease of service removal and maintenance safety. Structural assembly of body and door components shall be of welded construction.


### INSTALLATION

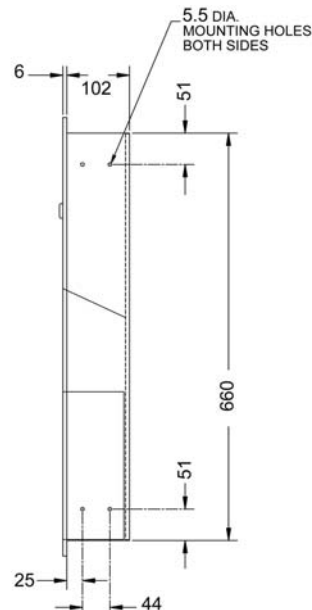
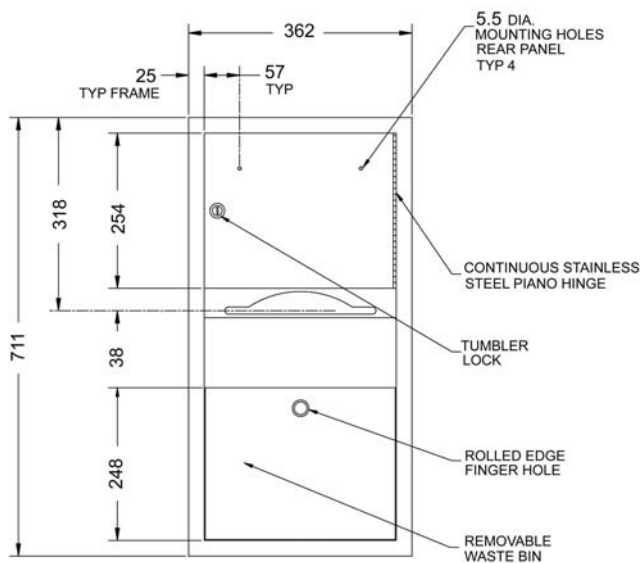
Unit is surface mounted on wall using No. 10 self tapping screws (supplied by others) through concealed mounting holes provided. For mounting height standards refer to current Building Code of Australia for able bodied and/or disabled use. Surface mounting collar is installed on cabinet prior to mounting on wall following procedure described on Surface Mounting Collar data sheet.

### OPERATION

Towels are self-feeding until supply is depleted. Unit may be reloaded with a partial load in-place and will continue to feed properly. Waste bin is emptied manually on cycle determined by maintenance needs.

**Surface Mounted Paper Towel Dispenser & Waste Bin** shall be Model No. 0462-AD-9 as supplied by JD MacDonald.

 All JD MacDonald disabled compliant products when installed must be in accordance with AS1428 to ensure the specified product is complying with all washroom specification requirements.



JD MacDonald reserves the right to, and does from time to time, make changes and improvements in design and dimensions. The photographs and line drawings of the products in this flyer are representational only. All dimensions are in millimetres.