



Shown: Recessed Model No. 0479
Surface Mounted unit includes a trim

SPECIFICATION

Surface Mounted Paper Towel Dispenser and Waste Bin shall hold and dispense 600 C-fold, 800 multi-fold or 1100 single-fold paper towels and shall have a waste capacity of 26 litres. Towel dispenser, door, frame, waste container and cabinet shall be fabricated of alloy 18-8 stainless steel, grade 304, 22 gauge. All exposed surfaces shall have No. 4 satin finish. Towel dispensing slot shall have a fully hemmed-in rolled edge for snag-free dispensing and user safety. Adjustable guide shall be provided to allow dispensing of multi-fold or C-fold paper towels. Doors shall be fabricated in double-pan construction with fiberboard filler and shall be attached to cabinet at side with a full length 5mm diameter stainless steel multi-staked piano hinge and be held closed with tumbler locks keyed alike to other JD MacDonald washroom equipment. Waste bin shall have hemmed edges for safety. Face trim shall be 25mm wide formed from one piece with no mitres, welding or open seams and have 6mm square return to wall. Structural assembly of all components shall be of welded construction. Unit shall be supplied with surface mount collar to convert to surface mounting.


INSTALLATION

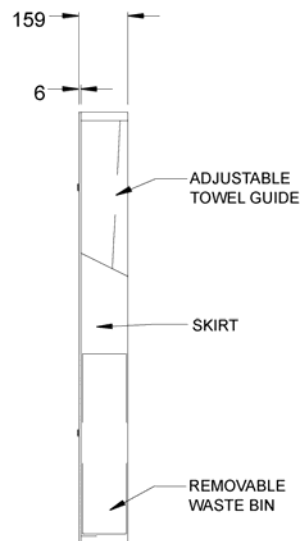
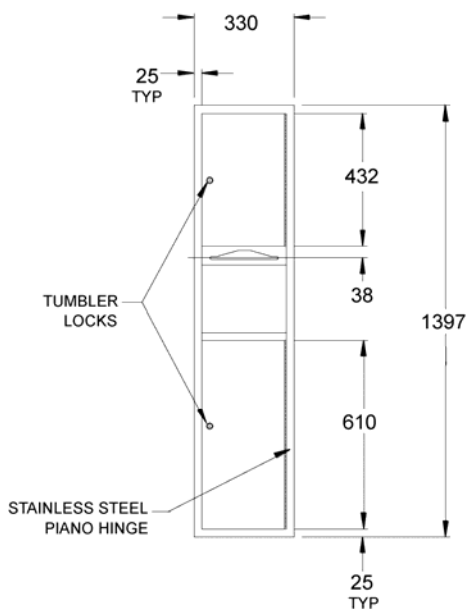
Unit is mounted in wall recess with No.10 self tapping screws (supplied by others) through concealed mounting holes provided. Surface mounting collar is installed on cabinet prior to mounting on wall following procedure described on Surface Mount Collar data sheet. For mounting height standards refer to current Building Code of Australia for able bodied and/or disabled use.

OPERATION

Paper towels are manually withdrawn through dispensing slot. Dispenser is refilled by unlocking door and replacing towels for an empty or partially empty unit. Dispenser supply is replenished on cycle determined by maintenance needs.

Surface Mounted Paper Towel Dispenser & Waste Bin shall be Model No. 0467-9 as supplied by JD MacDonald.

 All JD MacDonald disabled compliant products when installed must be in accordance with AS1428 to ensure the specified product is complying with all washroom specification requirements.



JD MacDonald reserves the right to, and does from time to time, make changes and improvements in design and dimensions. The photographs and line drawings of the products in this flyer are representational only. All dimensions are in millimetres.