



Shown: Recessed Model No. 6462
Surface Mounted unit includes a trim

SPECIFICATION

Surface Mounted Paper Towel Dispenser and Waste Bin shall hold and dispense 800 standard multi-fold or 600 standard C-fold or 1100 standard single-fold paper towels, and shall have a waste capacity of 34 litres. Unit shall be supplied with a surface mounted collar (skirt) to convert to surface mounting. Door, cabinet, dispenser and waste bin shall be fabricated of alloy 18-8 stainless steel, grade 304. All exposed surfaces shall have a No. 4 satin finish, and shall be protected during shipment with PVC plastic film easily removable after installation. Full face door shall be 18 gauge, fabricated from one piece, with no miters, welding or open seams on face and have a 13mm square return to the extension surface mounting collar. Cabinet shall be 20 gauge with a 25mm wide perimeter trim to lay flush against collar. Door shall be attached to the cabinet body with a full length 5mm diameter stainless steel multi-staked piano hinge and shall be held closed with two (2) tumbler locks keyed alike to other JD MacDonald washroom equipment. Towel dispensing slot shall have a fully deburred edge for snag free dispensing and user safety. Adjustable guide shall be provided to allow dispensing of single-fold, multi-fold or C-fold paper towels. Waste bin shall have a rolled edge finger hole for easy servicing and removal. Structural assembly of body and door components shall be of welded construction.

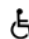
INSTALLATION

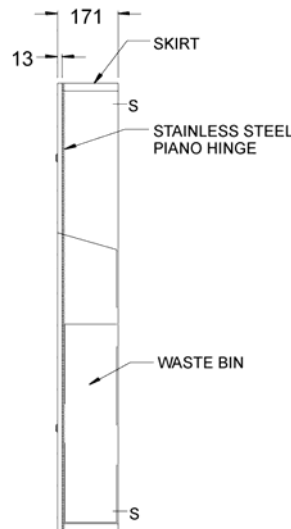
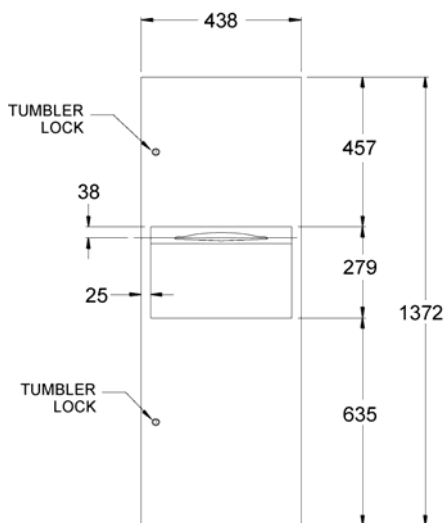
Mount unit on wall with No. 10 self tapping screws (supplied by others) through concealed mounting holes provided in cabinet back. Surface mounting collar is installed on cabinet prior to mounting on wall following procedure described on Surface Mounting Collar data sheet. For mounting height standards refer to current Building Code of Australia for able bodied and/or disabled use.

OPERATION

Towels are self-feeding until supply is depleted. Unit will continue to feed properly when reloaded with a partial load in place. Waste bin is emptied manually on a cycle determined by maintenance needs. Locked door prevents unauthorized access or removal.

Surface Mounted Paper Towel Dispenser & Waste Bin shall be Model No. 6462-9 as supplied by JD MacDonald.

 All JD MacDonald disabled compliant products when installed must be in accordance with AS1428 to ensure the specified product is complying with all washroom specification requirements.



JD MacDonald reserves the right to, and does from time to time, make changes and improvements in design and dimensions. The photographs and line drawings of the products in this flyer are representational only. All dimensions are in millimetres.