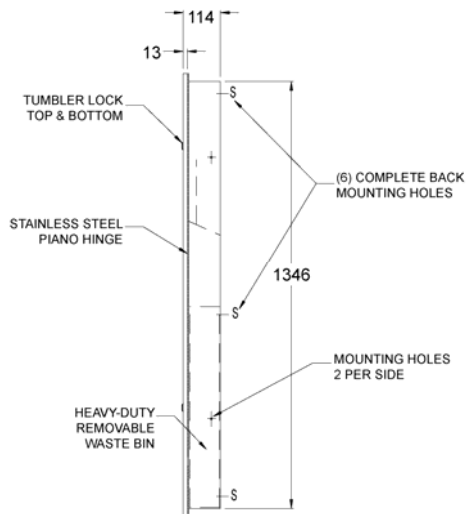
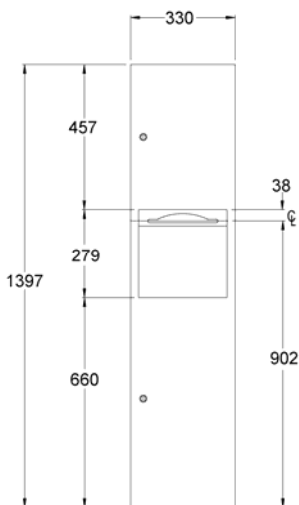




Shown: Recessed Model No. 6467
Surface Mounted unit includes a trim



SPECIFICATION

Surface Mounted Paper Towel Dispenser and Waste Bin shall hold and dispense 800 standard multi-fold or 600 standard C-fold paper towels, and shall have a waste capacity of 17 litres. Cabinet, door, skirt, dispenser and waste bin shall be fabricated from alloy 18-8 stainless steel, grade 304. Full face door shall be 18 gauge formed from one piece with no miters, welding or open seams on face with a 13mm return to wall and shall be attached to cabinet at side with a full length 5mm diameter stainless steel multi-staked piano hinge and be held closed with two (2) tumbler locks keyed like other JD MacDonald washroom equipment. Cabinet shall be 20 gauge and skirt shall be 22 gauge. Towel dispensing slot shall have a fully hemmed-in rolled edge for snag-free dispensing and user safety. Dispensing mechanism shall include an adapter that permits the use of multi-fold or C-fold paper towels. Waste bin shall have a rolled edge finger hole for easy servicing and removal. Structural assembly of all components shall be of welded construction. All exposed surfaces shall be No. 4 satin finish and shall be protected during shipment with a PVC film easily removable after installation. Unit shall be supplied with surface mounting collar (skirt) to convert to surface mounting.

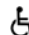
INSTALLATION

Surface mount and secure unit to wall with four (4) No. 10 self tapping screws (supplied by others) through mounting holes in cabinet back. Surface mounting collar is installed on cabinet prior to mounting on wall following procedure as described on Surface Mounting Collar data sheet. For mounting height standards refer to current Building Code of Australia for able bodied and/or disabled use.

OPERATION

Paper Towels are self-feeding until supply is depleted. Unit may be reloaded with a partial load in place and will continue to feed properly. Waste bin is emptied manually on a cycle determined by maintenance needs. Locking door prevents unauthorized access or removal.

Surface Mounted Paper Towel Dispenser & Waste Bin shall be Model No. 6467-9 as supplied by JD MacDonald.

 All JD MacDonald disabled compliant products when installed must be in accordance with AS1428 to ensure the specified product is complying with all washroom specification requirements.