



SPECIFICATION

Recessed Paper Towel Dispenser and Waste Bin shall hold and dispense 475 standard multi-fold or 350 standard C-fold paper towels and shall have a waste capacity of 8.4 litres. Cabinet, door, dispenser, and waste bin shall be fabricated of 18-8 stainless steel, grade 304. Cabinet shall be 20 gauge with a 25mm wide perimeter trim to lay flush against wall and shall have no exposed fastening devices. All exposed surfaces shall have a No. 4 satin finish and shall be protected by a PVC film easily removable after installation. Door shall be 18 gauge and shall be attached to the cabinet body with a full length 5mm diameter stainless steel multi-staked piano hinge, and shall be held closed with a tumbler lock keyed alike to other JD MacDonald washroom equipment. Towel dispensing opening shall have a fully deburred edge for snag free dispensing and user safety. Waste bin shall have a rolled edge finger hole for easy servicing and removal.


INSTALLATION

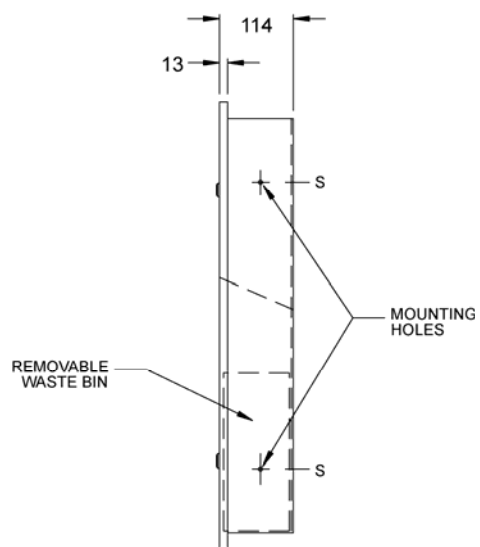
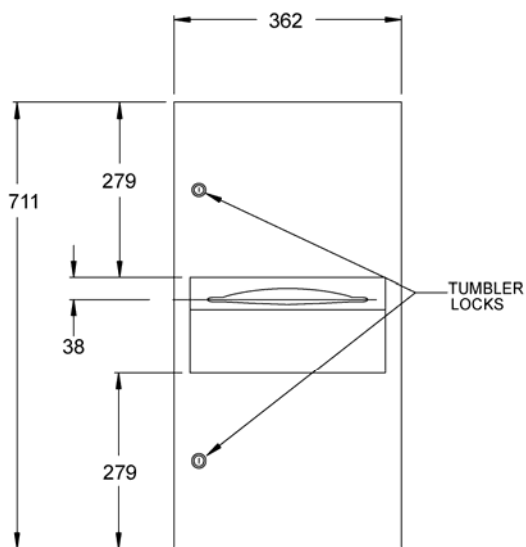
Unit is mounted in wall recess with No.10 self-tapping screws (supplied by others) through concealed mounting holes provided. For mounting height standards refer to current Building Code of Australia for able bodied and/or disabled use. Note that bottom of rough wall opening is 19mm above bottom of unit. Rough Wall Opening (RWO) required is 324mm x 673mm x 102mm.

OPERATION

Towels are self feeding until supply is depleted. Unit will continue to feed properly when refilled with a partial load in place. Waste bin is emptied manually on a cycle determined by maintenance needs. Locked door prevents unauthorized access or removal.

Recessed Paper Towel Dispenser & Waste Bin shall be Model No. 64623 as supplied by JD MacDonald.

 All JD MacDonald disabled compliant products when installed must be in accordance with AS1428 to ensure the specified product is complying with all washroom specification requirements.



JD MacDonald reserves the right to, and does from time to time, make changes and improvements in design and dimensions. The photographs and line drawings of the products in this flyer are representational only. All dimensions are in millimetres.