



SPECIFICATION

Surface Mounted ABS Soap Dispenser shall hold and dispense 0.9 litres liquid or lotion soaps, synthetic detergents and antibacterial soaps containing PCMX and/or Triclosan from multi-purpose piston push valve. Dispenser shall dispense approximately 2ml of soap during each lever actuation. Unit housing shall be fabricated of white ABS plastic. Internal polyethylene container shall be provided with a large top lid for fast refill and shall be easily removed for cleaning. An acrylic level view indicator shall be provided on each side. Valve shall be fabricated of heavy duty acetal with nitrile O-ring seals and stainless steel return spring. Full housing shall open and tilt forward on concealed pivot hinges and shall be held closed by concealed snap latches that shall open by key (supplied) pushed into concealed release. Mounting kit including screws, plugs and adhesive pads shall be provided.


INSTALLATION

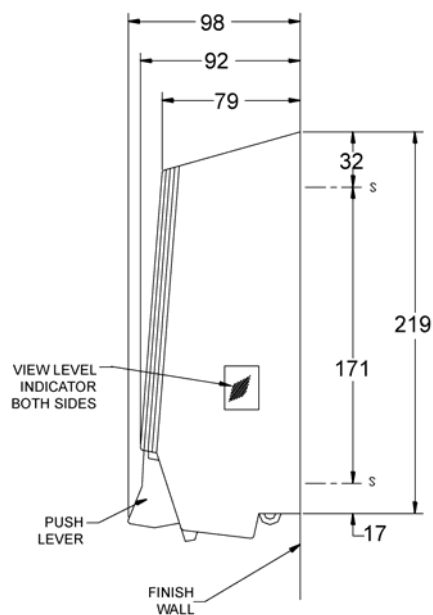
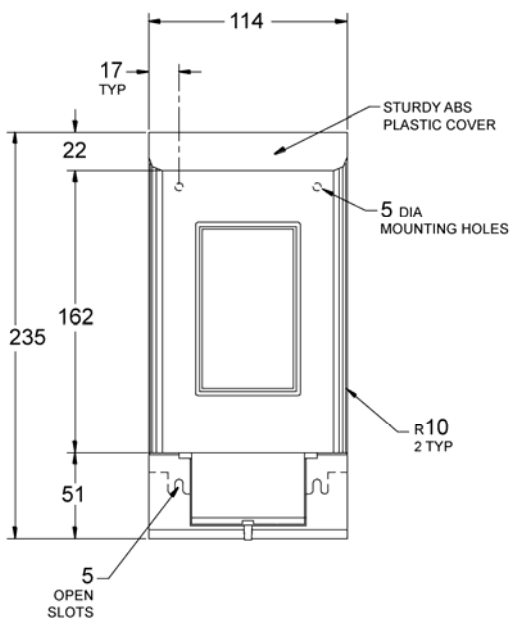
Unit is surface mounted to wall or partition using adhesive pads (supplied) onto sealed smooth surface or screws (supplied) through concealed mounting holes into suitable pilot holes or wall plugs (supplied) as required. Use template (supplied) to locate mounting holes. For mounting height standards refer to current Building Code of Australia for able bodied and/or disabled use.

OPERATION

Push lever to dispense a uniform amount of liquid soap. Follow instructions (supplied with unit) to remove, clean and replace internal soap tank. Insert key into concealed slot at rear bottom centre of unit. Push key up to release latch and pull housing forward. Key should be removed after opening. Remove and retain cover from internal container. Pour liquid soap into large opening at top of container and replace cover. Housing is locked by pushing it back until it clicks.

Surface Mounted ABS Soap Dispenser shall be Model No. 2001 as supplied by JD MacDonald.

 All JD MacDonald disabled compliant products when installed must be in accordance with AS1428 to ensure the specified product is complying with all washroom specification requirements.



JD MacDonald reserves the right to, and does from time to time, make changes and improvements in design and dimensions. The photographs and line drawings of the products in this flyer are representational only. All dimensions are in millimetres.