



SPECIFICATION

Fully welded construction finished in satin stainless steel finish to promote durability and reliability. Designed for the safety, security and convenience of the physically disabled. Strong Ø75 fixing flanges. Easy to install on most building surfaces. Grab Rails provide flush mounting flanges which are fully welded to the tube ends. This results in a single structural unit that is designed to give maximum strength, security and user confidence to support greater loads. Attractive stainless steel cover plates to conceal the flange and fixings.

OPTIONS

JD MacDonald can supply special Grab Rails to satisfy any unique application (POA), Polished, Knurled, Powder coat.

FINISH

Manufactured from austenitic 18-8 grade 304 stainless steel.


RECOMMENDED INSTALLATION

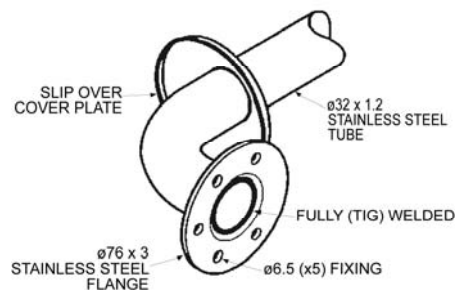
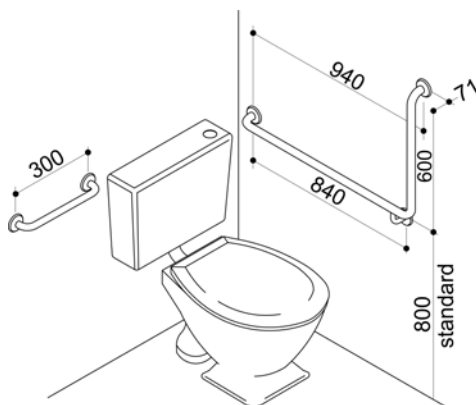
To comply with Australian Standards AS 1428.1, grab rails must be fastened a minimum distance of 800mm from the floor, with 600mm of clear space above the rail and to withstand a force of 1100N at any point from any direction.

WARRANTY

Grab Rail products distributed by JD MacDonald are guaranteed to be free from defective materials and workmanship for 12 months from the date of purchase, subject to product being installed and maintained in accordance with the Installation and Operating instructions (fixings supplied by others). Products returned to JD MacDonald under this warranty will be, at the option of the company, repaired or replaced at no charge to the purchaser.

Grab Rail GRC53 shall be Model No. GRC53 (left hand model shown) as supplied by JD MacDonald. (Also known as a combination of GR05 and GR300).

 All JD MacDonald disabled compliant products when installed must be in accordance with AS1428 to ensure the specified product is complying with all washroom specification requirements.



JD MacDonald reserves the right to, and does from time to time, make changes and improvements in design and dimensions. The photographs and line drawings of the products in this flyer are representational only. All dimensions are in millimetres.