



HC-DGY-ASS

#### FEATURES

High chair is ideal for commercial use, is light weight and compact, fitting under most standard height food service tables for more sociable dining and floor space economy. This unit is also space efficient for stackable storage. The hygienic, non-absorbent child safety strap is adjustable with one hand. This fully moulded HDPE unit is easy to clean and resists bacterial growth. Safety information and universal instruction graphics are illustrated on easy to read labels. Constructed of durable polyethylene with a low maintenance moulded colour that will not rust, dent or chip. The base frame colour is "greige", a combination of light grey and light beige. Available in 3 seat colours.

#### SPECIFICATION

- Rated to support 16kg; tested to 91kg static load, centrally placed.
- Weight: 4.5kg.

#### MATERIAL

High density polyethylene body (HDPE) with a polyethylene seat.

#### OPTIONS

- 3 seat colours available. Blue (BLU), green (GRN) and dark grey (DGY).
- Set of 4 castors for extra mobility (Part No. A-048-CAST).
- Replacement safety belt assembly (Part No. B016).

#### WARRANTY

JD MacDonald High Chairs are guaranteed against defective materials and faulty workmanship for 5 years from date of purchase, subject to being installed and maintained in accordance with the Installation and Operating Instructions supplied with the unit. A \$10 million product liability insurance policy is maintained on all high chairs.

**High Chair** shall be Model No. HC-XXX-ASS as supplied by JD MacDonald.



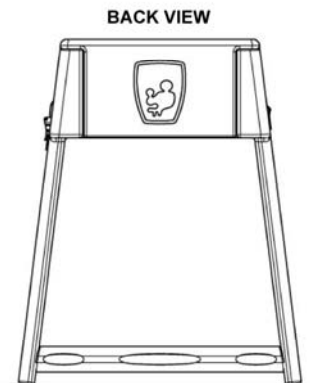
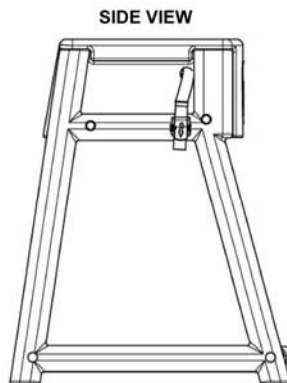
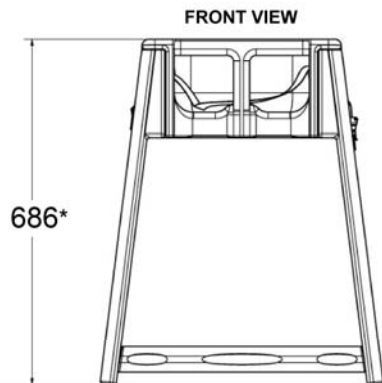
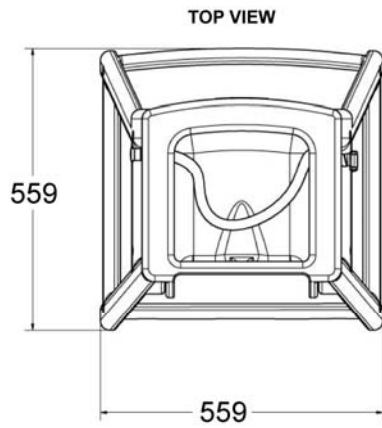
HC-BLU-ASS



HC-GRN-ASS

**High Chair**  
Model No. HC-XXX-ASS

**CAD DRAWINGS**



\* Height is 743mm with castors