

**FEATURES**

Surface Mounted Vertical Classic Baby Change Station includes a concealed pneumatic gas spring mechanism for smooth, safe and effortless opening and closing. The compact, slim profile can fit into the smallest of washrooms. The hygienic, non-absorbent child safety strap features a lockable two step cam-buckle providing effortless size adjustment with one hand. This easy to clean unit resists odours and bacterial growth. Safety information and universal instruction graphics including Braille are illustrated on easy to read labels. Dual moulded liner dispensers hold approximately 25 liners each. Convenient bag hooks are located on both sides of unit.

INSTALLATION DETAILS

Simple and quick to install with step-by-step instructions and all mounting hardware supplied. Mounting caps provided to conceal screw holds for a quality finish. Unique wall bracket mounting system spreads load-bearing force on wall, improving safety and facilitating easy retrofitting.

SPECIFICATION

Unit supports loads up to 113kg when properly installed in accordance with the Installation and Operating Instructions supplied with the unit.

MATERIAL

High density polyethylene body (HDPE).

OPTIONS

- Box of 500 liners (Part No: LCR).
- Replacement belt assembly (Part No. B003).

WARRANTY, PRODUCT LIABILITY & VANDALISM PROTECTION

JD MacDonald Baby Change Stations are guaranteed against defective materials and faulty workmanship for 5 years from date of purchase, subject to being installed and maintained in accordance with the Installation and Operating Instructions supplied with the unit.

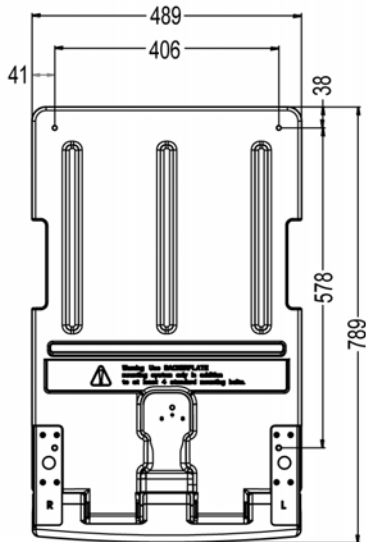
A \$10 million product liability insurance policy is maintained on all baby change stations.

Should any baby change station distributed by JD MacDonald be vandalized rendering the unit unsafe or unusable in the 5 year period from the date of purchase, JD MacDonald will provide a \$100 discount off the retail price when a replacement unit is purchased by the owner through JD MacDonald.

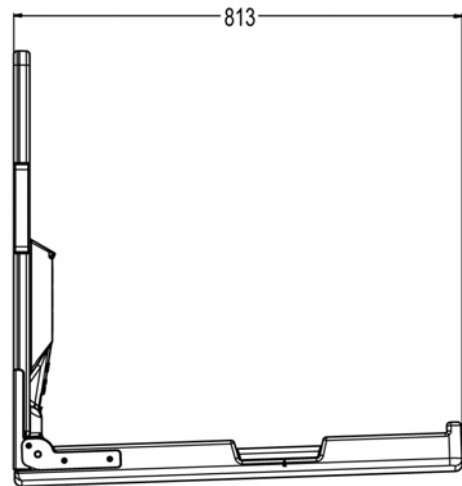
Surface Mounted Classic Baby Change Station Vertical shall be Model No. BCV-JDM as supplied by JD MacDonald.

**Surface Mounted
Classic Baby Change Station Vertical
Model No. BCV-JDM**

CAD DRAWINGS



BACK VIEW



SIDE VIEW (OPEN)