

# Macapak Compactors

Tough on rubbish...

strong on features.

# Macapak Compactors

The Macapak Series of compactors are designed by JD MacDonald's parent company MacDonald Johnston Pty Ltd, Australia's leading manufacturer of refuse collection equipment, road sweepers, hand dryers, refuse and laundry chutes and refuse compaction equipment.

JD MacDonald can provide a nation-wide range of structural, mechanical, hydraulic and electrical services as well as spare parts support using the MacDonald Johnston facilities and offices in Brisbane, Sydney, Melbourne, Adelaide and Perth.

Compactors and containers are prepared for outdoor use with a primer and two-pack spray enamel finish coat in either Beige or Grey Blue. Customised colour scheme is available on request.

JD MacDonald specialises in scheduled maintenance contracts.

Macapak Compactors are designed to compact general, commercial and industrial type waste consisting of material such as cardboard, paper and general garbage. They are quiet and efficient in operation, are renowned for their quality and longevity.

Fully automatic in operation, they can be automatically fed by a chute system, conveyor system and hydraulic lifting devices or manually fed by a side or rear loading hopper. In all cases, they are fully compliant with applicable Australian Standards.

## Waste Management Consultancy Service

A complete consultancy service can be provided including the preparation of waste management plans in accordance with local council development guidelines and planning instruments.

### **The waste management plan would incorporate the following items:**

- Generated Waste Volumes
- Equipment and Waste Management Recommendations
- Waste Strategies, Options and Specifications
- Compliance with any codes and policies

All of the recommendations in the report are in accordance with local authorities and reports can be prepared for any type of development from multi-unit residential, commercial, industrial and mixed-use type developments.

This service includes engineering assistance in the design of the waste facilities to compliment your development and all designs are undertaken using the latest design technology.

Cost effective equipment options can be tailored to suit each sites specifications & their waste management needs.

Inclusive within this service, JD MacDonald will also attend to any design and follow up meetings throughout the project's duration and this service is available throughout Australia.

# Macapak 2000

The 2000 Series has a compaction ratio of 3:1 and is ideal when the weekly volume of waste exceeds 30m<sup>3</sup>. Quiet and efficient in operation, it can accommodate containers from 19m<sup>3</sup> to 45m<sup>3</sup> capacity.



## 2000 Specifications

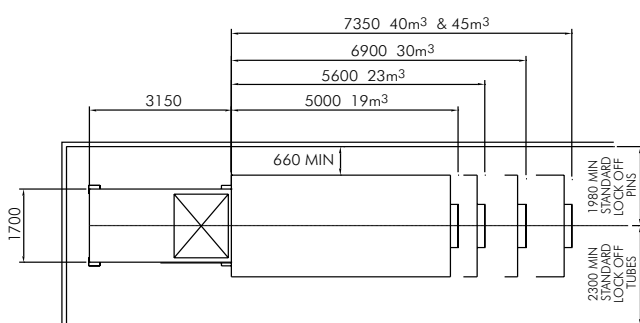
	Macapak 2000-72	Macapak 2000-52
Chamber Volume (Total)	1.8m <sup>3</sup>	1.35m <sup>3</sup>
Chamber Volume (Working)	1.47m <sup>3</sup>	1.05m <sup>3</sup>
Machine Capacity per hour	93m <sup>3</sup>	55m <sup>3</sup>
Top Surface Opening	1250 x 1484mm	1250 x 1484mm
Chamber length	1300mm	930mm
Cylinder Stroke	1829mm (72")	1320mm (52")
Cylinder Diameter	152mm (6")	152mm (6")
Container Penetration	480mm	380mm
Ram Face	610 x 1480 mm	610 x 1480mm
Discharge Opening	760 x 1484mm	760 x 1484mm
Ground Clearance (Ram)	381mm	381mm
Motor	15kw (20hp)	7.5kw (10hp)
Time Cycle (Unloaded)	30 sec	34 sec
Machine Thrust	239 kN	239 kN
Max. Working Pressure	131 bar	131 bar
Pump Volume	114 L/min (30 gal/min)	59 L/min (15.6 gal/min)
Power Supply	415 volt, 3 phase 5 wire 3 active 1 neutral 1 earth	415 volt, 3 phase 5 wire 3 active 1 neutral 1 earth

## 2000 Containers

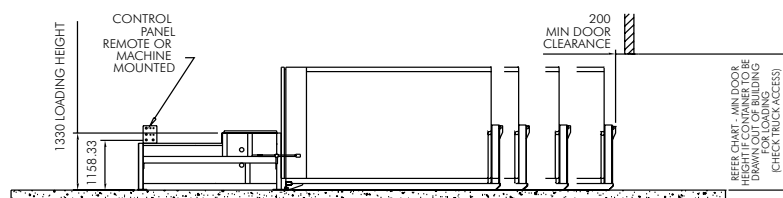
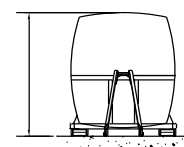
Containers are smooth skin design and of fully welded construction and suit either Hook-Lift or Roll-on, Roll-off loading devices.

Capacity	Side & Roof Material	Floor Material
30 m <sup>3</sup>	3mm grade HU300	5mm grade 350
40/45 m <sup>3</sup>	1.47m <sup>3</sup>	5mm grade 350

Guide rails are supplied and fitted to suit container base configuration.



Container size	Height	Min Door Height
45m	3090	3700
40m	2840	3400
19 - 30m	2430	3000



*Note: Alternative compactor layouts can be provided on application Macapak 2000-52 indicated.*



The clean sweep of refuse equipment



**JD Macdonald is a Division of MacDonald Johnston Pty Ltd**

**MacDonald Johnston Pty Ltd** ABN 68 004 992 090  
65-73 Nantilla Road, Clayton North, Vic. 3168 Australia. [www.macdonaldjohnston.com.au](http://www.macdonaldjohnston.com.au)

**Freecall 1800 023 441 or phone your nearest JD Macdonald Sales Office**  
**Adelaide** (08) 8168 2222 **Brisbane** (07) 3363 6400 **Melbourne** (03) 9271 6400 **Perth** (08) 9271 8455 **Sydney** (02) 9756 1622  
[enquiry@jdmacdonald.com.au](mailto:enquiry@jdmacdonald.com.au) [www.jdmacdonald.com.au](http://www.jdmacdonald.com.au)

JD Macdonald reserves the right to, and does from time to time, make changes and improvements in design and dimensions.  
The photographs & line drawings of the products in this catalogue are representational only. All dimensions are in millimetres.

