

### Step 1 Stainless Steel Cabinet Fitment

Ensure that during the framing stage of a building the studs within the wall allow appropriate fitment of the cabinet.

The cabinet is simply pushed back into the wall opening until the front flange contacts the wall and then screwed in from each side, as appropriate to hold the unit securely in place.

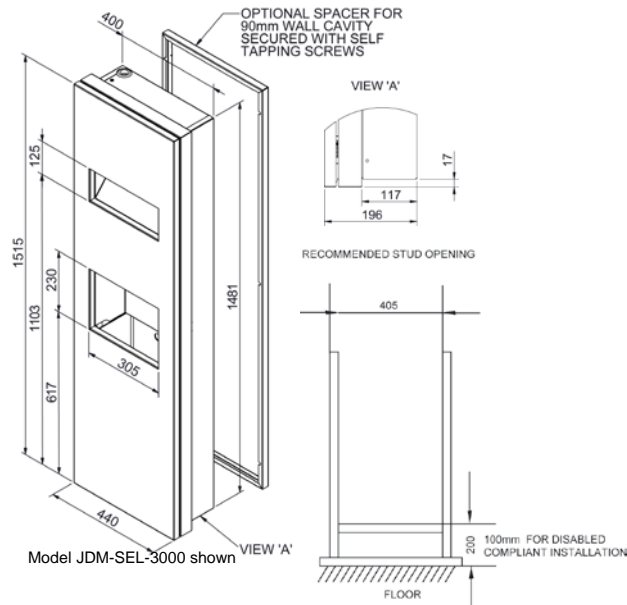
**Note:** Remove internal GPO bracket prior to installing unit in the wall.

Drill holes in the cabinet side sheets; ensure that holes are in areas which are hidden from normal view. Installation using self tapping screws is sufficient.

**Note:** Recommended stud dimensions are detailed below. Hardware is not provided with the unit.

Alternatively, the unit can be surface mounted with a special external trim kit (JDM-SEL-1092) or semi recessed with a special external shroud (JDM-SEL-1035). This provides for fitment to 90mm cavities. Trim depth 27mm (D).

### Rough wall opening: 410mm (W) x 1490mm (H) x 120 (D)



### Step 2 Wiring Connection

**THIS UNIT MUST BE INSTALLED BY A LICENCED ELECTRICIAN**

**Note:** The unit is supplied with an internal GPO.

The connection of the wiring to the back of the GPO and Earth Stud must be made in accordance with the wiring rules and must include means for disconnection, in accordance to AS/NZS 3000. Both the earth stud and the GPO should be earthed.

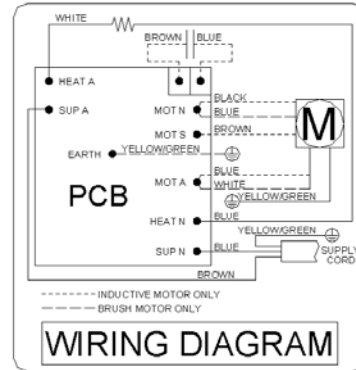
If the supply cord is damaged, it must be replaced by the manufacturer, its service agent or similarly qualified persons in order to avoid a hazard.

**⚠** Do not reverse the connections as it may damage the printed circuit board. (No warranty shall apply).

Do not switch power on until casing has been installed unless under strict test control conditions.

**Note:** Active and neutral power circuits become exposed on removal of hand dryer unit.

### Wiring Circuit



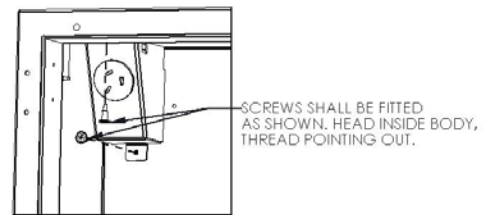
### Step 3 Testing

The power cord can now be connected to the GPO which is located in the back wall of the cabinet in the top left hand corner. (See below).

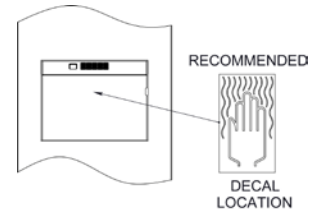
Check for Hand Dryer function by holding a hand under the sensor lens in the Hand Dryer area of the stainless steel cover. The unit should operate continuously and then for a further 5 seconds once hands are removed from the operating area.

**Note:** The sensitivity of the sensor is automatically set. If the sensitivity becomes out of adjustment it will switch the Hand Dryer on and reset itself after approximately 45 seconds.

### Internal GPO



### Step 4 Fitting Decal



**♿** All JD MacDonald disabled compliant products when installed must be in accordance with AS1428 to ensure the specified product is complying with all washroom specification requirements.

This appliance is not intended for use by persons (including children) with reduced physical, sensory or mental capabilities, or lack of experience and knowledge, unless they have been given supervision or instruction concerning use of the appliance by a person responsible for their safety. Children should be supervised to ensure that they do not play with the appliance.

## Select Classic 12 Month Warranty

---

# INSTALLATION INSTRUCTIONS & WARRANTY

## Select Classic

---

### JD MacDonald Warranty for Australia

JD MacDonald expressly warrants this product against defects caused by faulty workmanship for a period of 12 months from the date of purchase providing the product is installed and maintained in accordance with JD MacDonald's instructions.

During the warranty period, JD MacDonald will repair or replace, at its option, the complete product or components that fail due to faulty workmanship or components.

#### Terms and Conditions

The warranty period commences on the date of original purchase of the equipment. Evidence of this date of original purchase must be provided when claiming repairs under warranty. It is recommended you retain all invoices or receipts in a safe place.

In the event of a product being replaced during the warranty period, the warranty on the replacement will then expire at the original date, i.e. 12 months from the original purchase date.

The warranty excludes defects caused by the product not being used in accordance with instructions, accidental damage, misuse or being tampered with by unauthorised persons.

This warranty is subject to due compliance by the original purchaser with all directions and conditions set out in the Installation and Operating Instructions.

JD MacDonald will provide whenever possible on-site service in areas covered by nominated agents. JD MacDonald will only be responsible for labour charges where this is provided by JD MacDonald authorised service agents. If on-site service is not provided due to distance or is excluded from this warranty it will be the owners responsibility, at their expense, to return the product, suitably packaged to JD MacDonald's service provider or state office.

Apart from this express warranty the only conditions, warranties, liabilities to compensate or indemnify representations and statements which are binding upon JD MacDonald in relation to its supply of goods are those required by law (including the Trade Practices Act 1974) to be binding upon it and otherwise all conditions and warranties whether express or implied by law and all other representations, statements and obligations which would be binding upon JD MacDonald are hereby excluded and negated.

Should a failure or fault occur please contact our Customer Service Department on **1800 023 441** and advise the model and serial number and mode of failure. Customer Service will then provide authorisation for its service agent to repair or replace the unit in accordance with the process outlined above. Note proof of purchase in the form of an invoice or purchase receipt must accompany any claim.

Except to the extent provided for above, JD MacDonald excludes its liability (including liability in negligence) to any person for any loss or damage, consequential or otherwise howsoever suffered or incurred by any such person caused by or resulting directly or indirectly from the goods or from any failure breakdown defect or deficiency of whatsoever nature and kind or in the goods.

This warranty does not extend to covering minor imperfections in the surface finish of the custom made, stainless steel Select hand dryer. The nature of the stainless steel manufacturing process is such that despite best efforts at polishing the stainless steel surface, slight imperfections or blemishes may still be evident.

#### Maintenance Note

To ensure your Hand Dryer is operating at its maximum performance whilst also maintaining its life, the following cleaning instructions should be carried out at least once per year or six monthly for heavy work areas.



Before commencing any maintenance activities the power source must be disconnected from the dryer.

- Remove case and remove dust from all parts using a small brush or compressed air.
- Check all wiring connections are secure.
- Replace the case, reconnect power and check operation.