



## SPECIFICATION

Folding Phenolic Shower Seat shall have all metal parts fabricated from alloy 18-8 stainless steel, grade 304. Seat frame and support legs shall be 25mm diameter and 32mm square, 18 gauge with 5mm mounting flanges and 16 gauge guide bracket/ arm support. All exposed surfaces shall have No. 4 finish. Seat shall be 8mm thick Phenolic with ivory color top and bottom surfaces and shall have black edges. Structural assembly shall be of welded construction and all exposed edges and corners shall be radiused and/or deburred. Support arm shall fold up when in retracted position to provide low profile against wall. No extra fittings shall be required to retain seat in storage position. Guide bracket shall control seat lowering into operating position. Unit shall satisfy Australian Standards 1428.1 whereby a foldable self-draining, slip resistant seat with rounded edges shall be provided inside the shower recess. The fastenings, materials and construction of the seat shall be able to withstand a force of 1100 N applied at any position and in any direction without failing or showing any visible signs of deformation or loosening of fastenings. When the seat is in the folded position - (a) the seat shall not present a hazard; (b) the grab rail shall be accessible; and (c) there shall be a minimum clear space of 1000mm from the seat to the wall opposite or any other fixture or obstruction.

## INSTALLATION

This unit is surface mounted. Installer/construction contractor must provide concealed anchor plate or blocking as specified in construction documents or as required by local building codes prior to wall finishing. Fasten unit flanges and guide bracket to concealed anchor or blocking plate with appropriate hardware. See "Strength" section below. Note that concealed mounting plates or anchors and hardware are not supplied with this product and must be specified separately. Ensure that mounting configuration complies with local building codes.

## STRENGTH

JD MacDonald Shower Seats are designed to support a load of 113.4 kg and unit shall conform to size and edge clearances as diagrammed. Mounting to the wall is a critical part of the system to meet this requirement. To withstand the shear, tension or pull-out, and torsion loads generated by the maximum loading, the fastener system must be adequately sized. Unit will carry a load of 226kg if properly installed. The supporting wall must be adequately reinforced to carry the rated load for the products lifetime.

## MATERIALS

- Tube:** 18-8 stainless steel, grade 304, 25mm diameter and 32mm square 18 gauge thick. Unitized all welded construction. Exposed surfaces have satin finish. Edges and corners are radiused and burr free.
- Flange:** Stainless steel, grade 304. Exposed surfaces have satin finish. Edges and corners are radiused and burr free.
- Bracket:** 18-8 stainless steel, grade 304, 16 gauge thick. Exposed surfaces have satin finish. Edges and corners are radiused and burr free.
- Seat:** Solid Phenolic 8mm x 970mm x 357mm. Exposed surfaces have semi-gloss laminate ivory coloured top and bottom surfaces and shall have black edges. Front corners are radiused and burr free. Seat top shall have six (6) slots 5mm wide x 200mm long for water drainage and user slip resistance. Mounting hardware is stainless steel dome head carriage bolts with acorn nuts on bottom.
- Spring:** Stainless steel, grade 304 wire, 25mm diameter x 76mm body length x 2.15mm diameter wire.

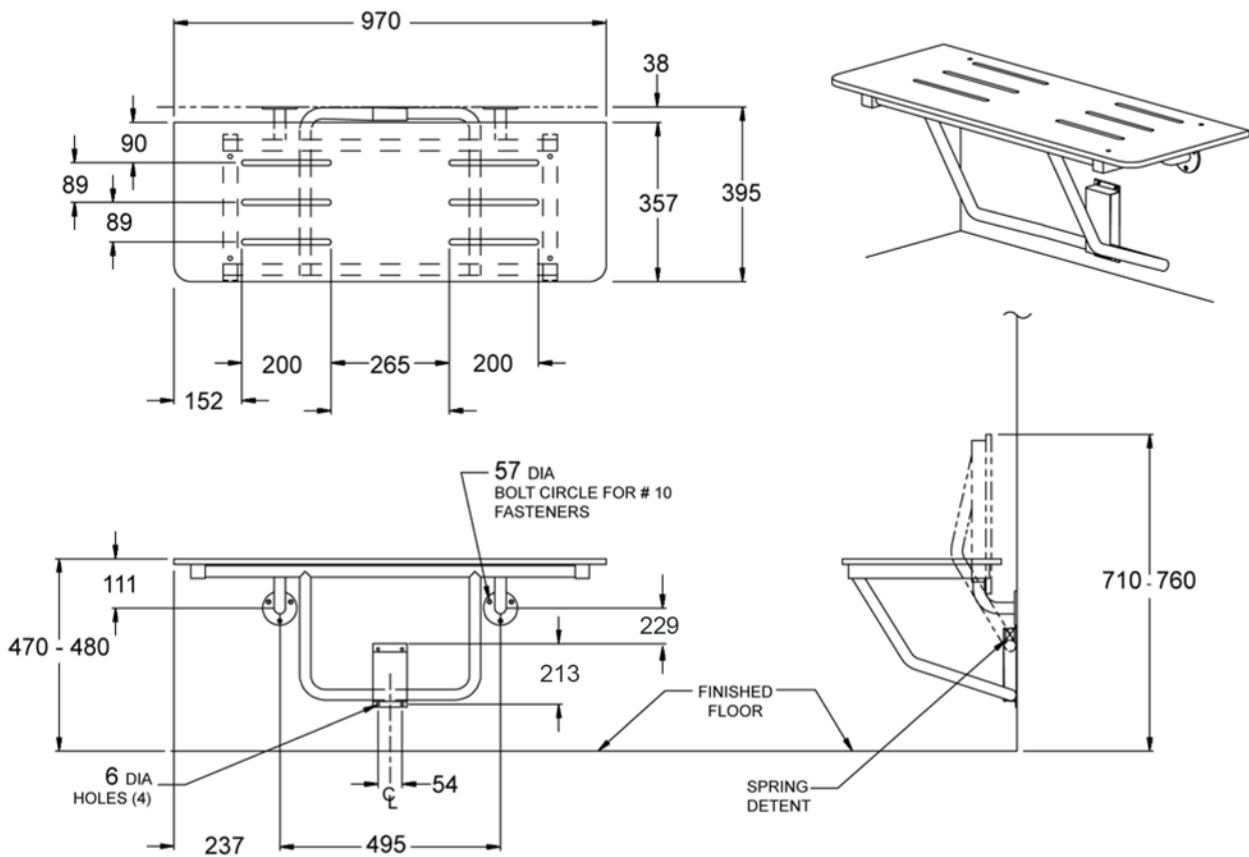
# Folding Phenolic Shower Seat Model No. 8203-M-AU

## OPERATION

Folding Phenolic Shower Seat requires only one hand operation to manually lower to horizontal position for use or raise for departure and arrival. Guide bracket with spring detent prevents seat from dropping and provides positive support in usage position as well as spring locked storage position.

**Folding Phenolic Shower Seat** shall be Model No. 8203-M-AU as supplied by JD MacDonald.

♿ All JD MacDonald disabled compliant products when installed must be in accordance with AS1428 to ensure the specified product is complying with all washroom specification requirements.



JD MacDonald reserves the right to, and does from time to time, make changes and improvements in design and dimensions. The photographs and line drawings of the products in this flyer are representational only. All dimensions are in millimetres.