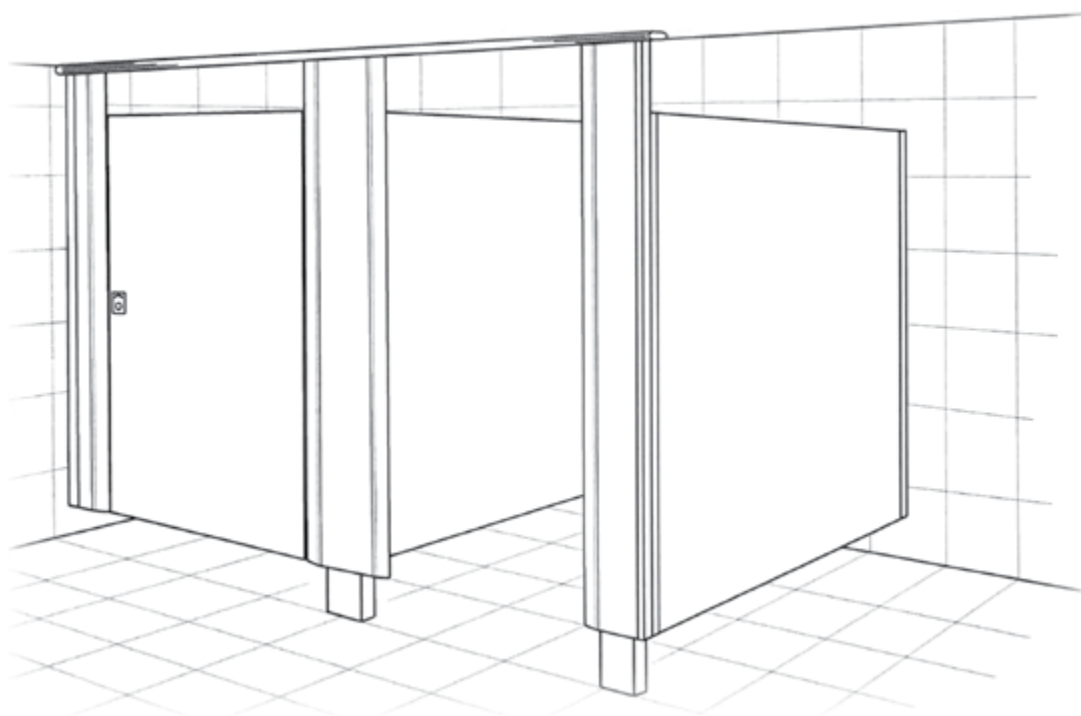


# SERENITY

## TOILET PARTITION SYSTEM STRUCTURAL LAMINATE



**Overhead braced toilet partition system** with panels fabricated from structural laminate board and finished with matching 2mm ABS edging. All aluminium channels and fixings are anodised.

**Partitions:** 18mm thick board, 1600mm (H) set 200mm off floor and fixed to walls and frontals in aluminium channels.

**Doors:** 18mm thick board, 1600mm (H) set 200mm off floor.

**Hardware:** satin chrome gravity hinges, indicator, bolt, staple and coat hook.

**Frontals:** 33mm thick board, 1800mm (H) set 200mm off floor, overhead braced and supported on aluminium box legs.

**Nibs:** 33mm thick board, 1800mm (H) overhead braced and set in aluminium channel.

**Privacy Door Stops:** fitted to frontal and nib edges to maximise privacy.

**Colours:** selected from the ASI JD MacDonald Structural Laminate Colour Selection Guide.

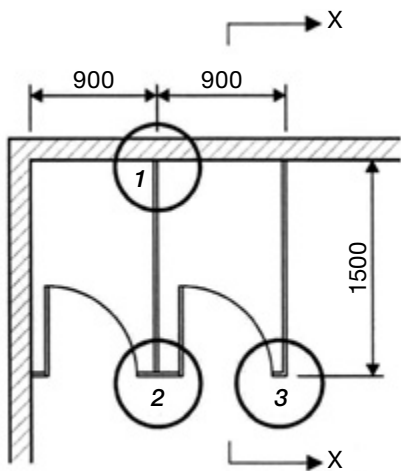
**Application:** recommended for toilet only areas. Not suitable for shower or other areas that are hosed for cleaning.

**Warranty:** Structural Laminate Board – 7 years; Door Hardware – 1 year.

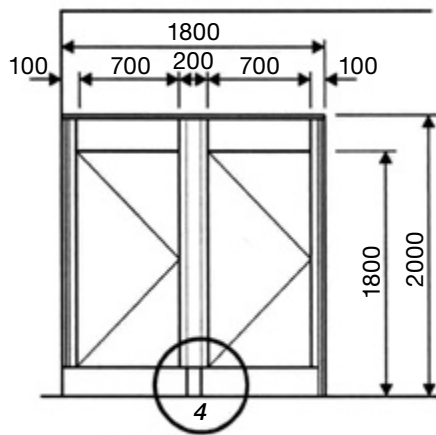


ASI JD MacDonald Pty Ltd  
48 Smith Road Springvale, VIC 3171  
**Free Call: 1800 023 441**  
Email: [enquiry@asijdmacdonald.com.au](mailto:enquiry@asijdmacdonald.com.au)  
[www.asijdmacdonald.com.au](http://www.asijdmacdonald.com.au)

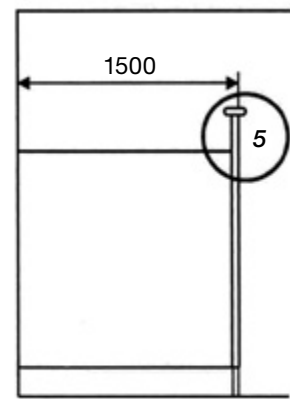
# SERENITY SECTIONAL DETAILS



PLAN  
Scale 1:50



ELEVATION  
Scale 1:50



SECTION XX  
Scale 1:50

