

# TRANQUILLITY

## TOILET PARTITION SYSTEM

### COMPACT LAMINATE



**Overhead braced toilet partition system** with panels fabricated from compact laminate board. All aluminium channels and fixings are anodised.

**Partitions:** 13mm thick board, 1600mm or 1800mm (H) set 200mm off floor and fixed to walls and frontals in aluminium channels.

**Doors:** 13mm thick board, 1600mm or 1800mm (H) set 200mm off floor.

**Hardware:** satin chrome gravity hinges, indicator, bolt, staple and coat hook.

**Frontals:** 33mm thick aluminium, 2000mm (H), overhead braced and directly mounted to floor.

**Nibs:** fully aluminium, 1800mm (H), overhead braced and set in aluminium channel.

**Privacy Door Stops:** fitted to frontal and nib edges to maximise privacy.

**Colours:** selected from the ASI JD MacDonald Compact Laminate Standard or Special Colour Selection Guide.

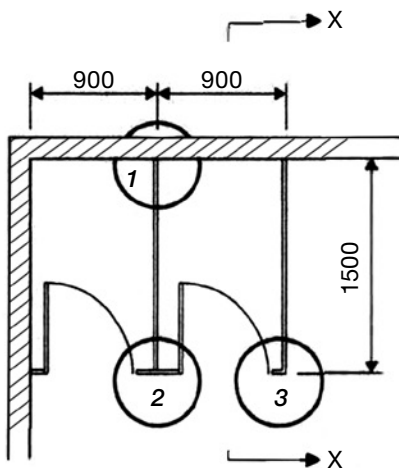
**Application:** suitable for high traffic and wet areas.

**Warranty:** Compact Laminate Board – 10 years; Door Hardware – 1 year.

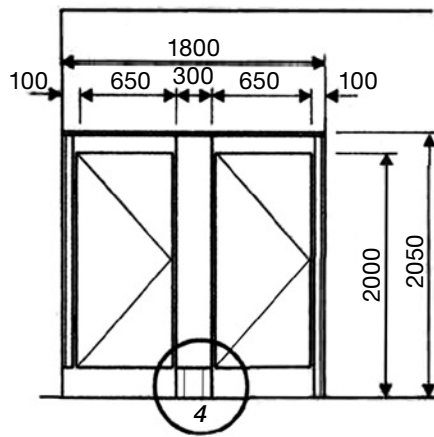


ASI JD MacDonald Pty Ltd  
48 Smith Road Springvale, VIC 3171  
**Free Call: 1800 023 441**  
Email: [enquiry@asijdmacdonald.com.au](mailto:enquiry@asijdmacdonald.com.au)  
[www.asijdmacdonald.com.au](http://www.asijdmacdonald.com.au)

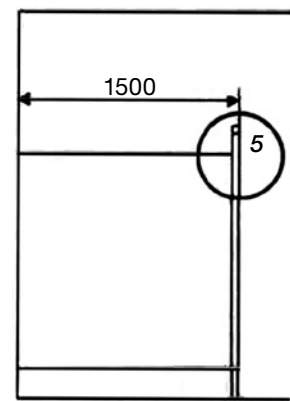
# TRANQUILLITY SECTIONAL DETAILS



TOILET PLAN  
Scale 1:50



ELEVATION  
Scale 1:50



SECTION XX  
Scale 1:50

